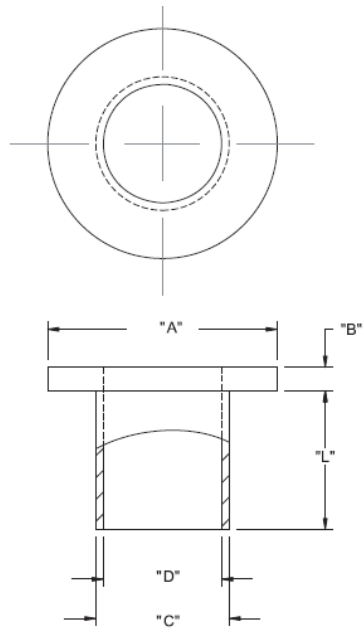


MNI - Molded Nylon Insulator



Details:

- **Material: Nylon 6/6, UL 94 V-2, RMS-01***
- **Material: Nylon 6/6, UL 94 V-0, RMS-19***
- **Color: natural**
- **Standard pack: 1000 pcs**

| Symbol | Thread | A ±0.18 | B ±0.18 | C ±0.13 | D ±0.13 | Length L ±0.13 | RMS | Material |
|----------|--------|---------|---------|---------|---------|-------------------|--------|----------|
| | | [mm] | [mm] | [mm] | [mm] | [mm] | | |
| MNI#10-4 | M5 | 10.1 | 1.6 | 6.6 | 5.1 | 1.6 | RMS-48 | PA 66 |