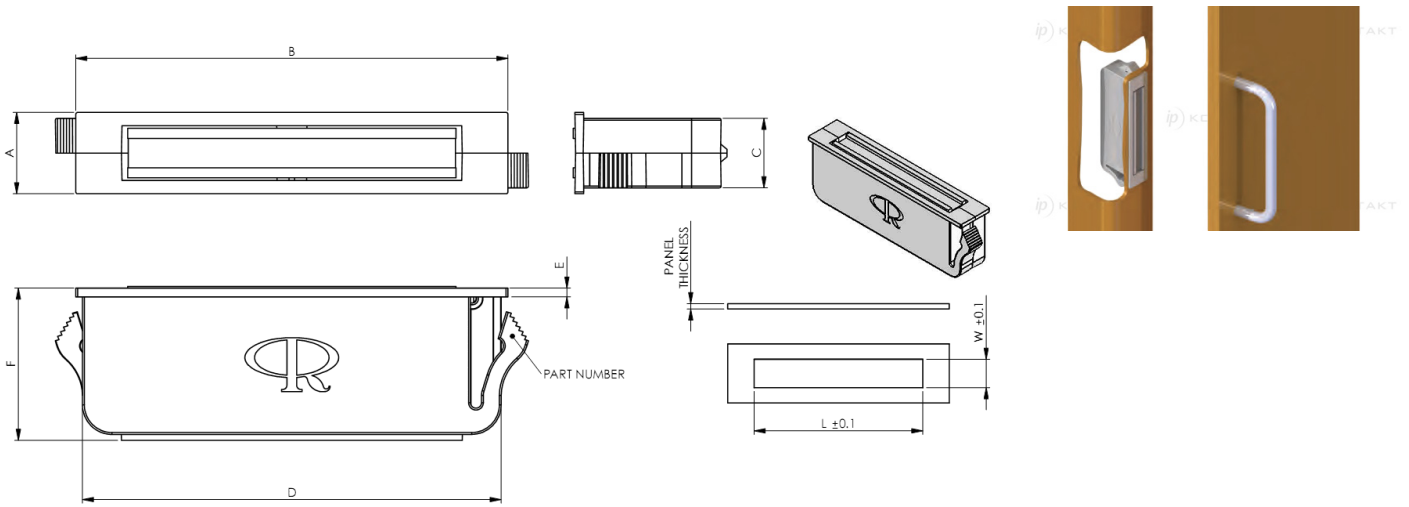


## ML - Magnetic Latch



**Details:**

- **Material: Polypropylene, RMS-150\***
- **Color: white, black**
- **Standard Pack: 10/bag**

Symbol	A	B	C	D	E	F	G	H	Panel thickness range	L	W	Color
	[mm]	[mm]	[mm]	[mm]	[mm]	[mm]	[mm]	[mm]	[mm]	[mm]	[mm]	
ML-S-2	7.7	23.6	6	21.8	0.8	27	2	13.3	2.0 - 3.5	22.2	6.4	white