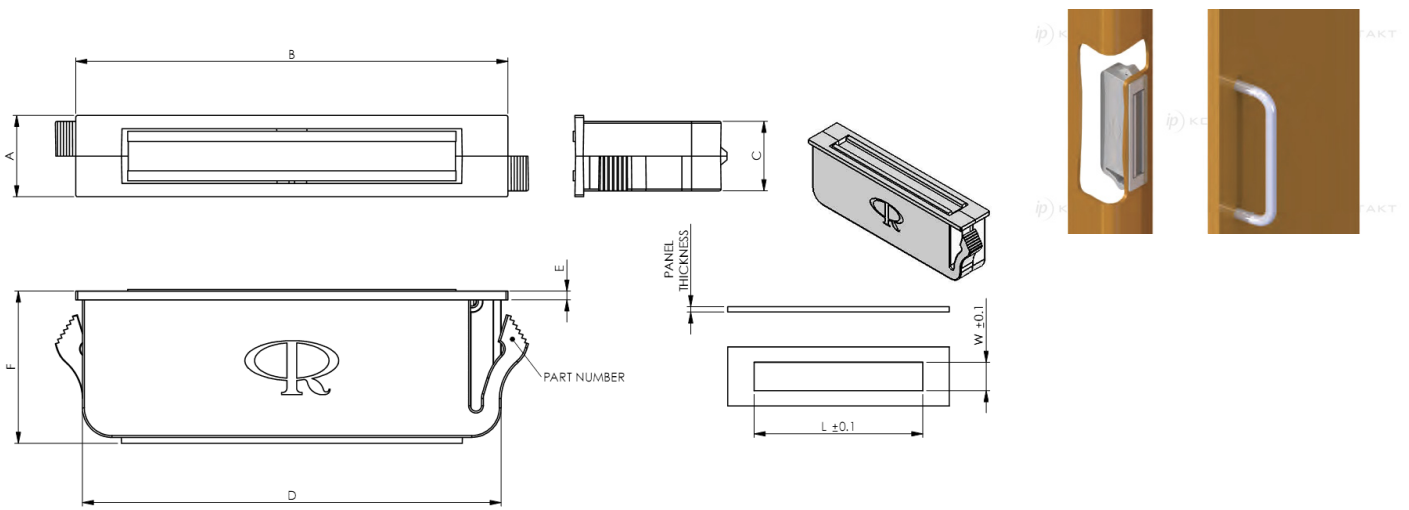


ML - Magnetic Latch



Details:

- **Material: Polypropylene, RMS-150***
- **Color: white, black**
- **Standard Pack: 10/bag**

Symbol	A	B	C	D	E	F	G	H	Panel thickness range	L	W	Color
	[mm]	[mm]	[mm]	[mm]	[mm]	[mm]	[mm]	[mm]	[mm]	[mm]	[mm]	
ML-S-1BK	7.7	23.6	6	21.8	0.8	27	0.5	13.3	0.5 - 2.0	22.2	6.4	black