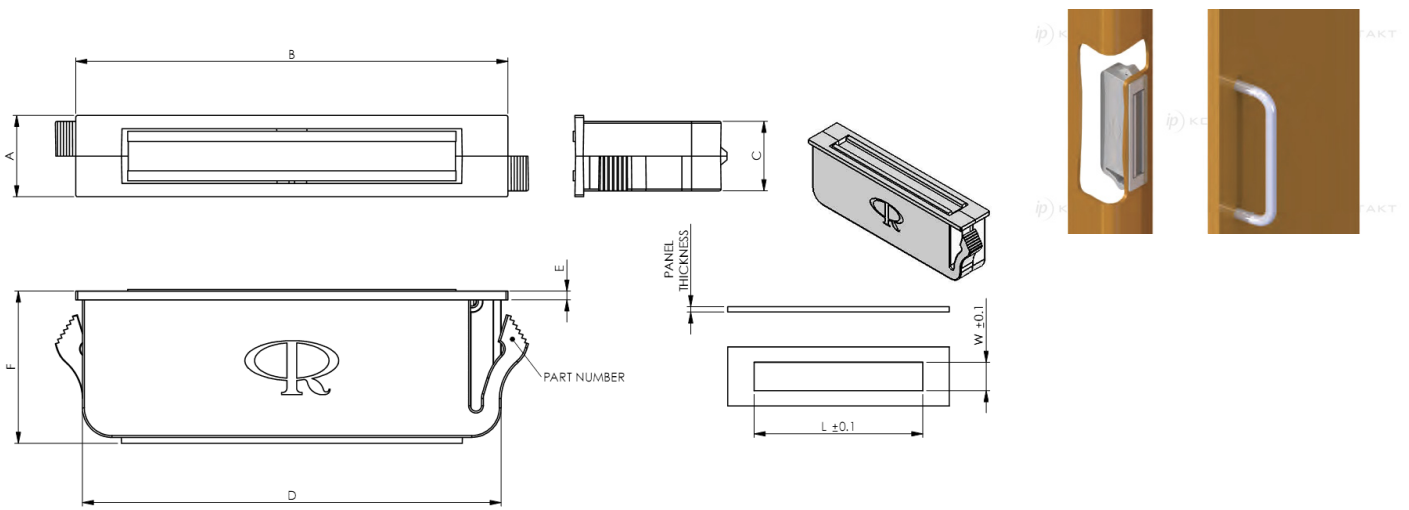


## ML - Magnetic Latch



**Details:**

- **Material: Polypropylene, RMS-150\***
- **Color: white, black**
- **Standard Pack: 10/bag**

Symbol	A	B	C	D	E	F	G	H	Panel thickness range	L	W	Color
	[mm]	[mm]	[mm]	[mm]	[mm]	[mm]	[mm]	[mm]	[mm]	[mm]	[mm]	
ML-M-2	9.5	39.7	7.7	37.7	0.8	45.5	2	25.4	2.0 - 3.5	38.1	8.1	white