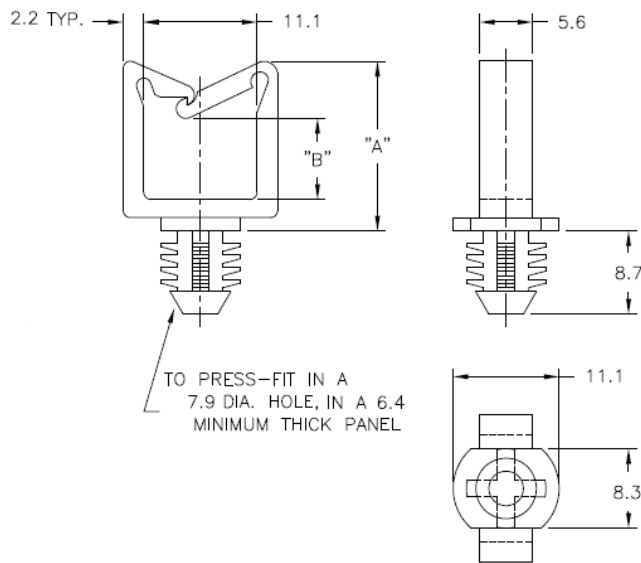


LWSBH - Locking Wire Saddle



Details:

- **Material: UL94 V2 Nylon 6/6, RMS-01***
- **Material: UL94 V0 Nylon 6/6, RMS-19***
- **Color: Natural**
- **Standard Pack: 1000/Bag**

Symbol	A	B	Mounting hole diameter	Panel thickness range	Material	Flammability	Color
	[mm]	[mm]	[mm]	[mm]			
LWSBH-2-19	18.3	11.2	7.9	6.4 min.	PA 66	UL94 V-0	natural