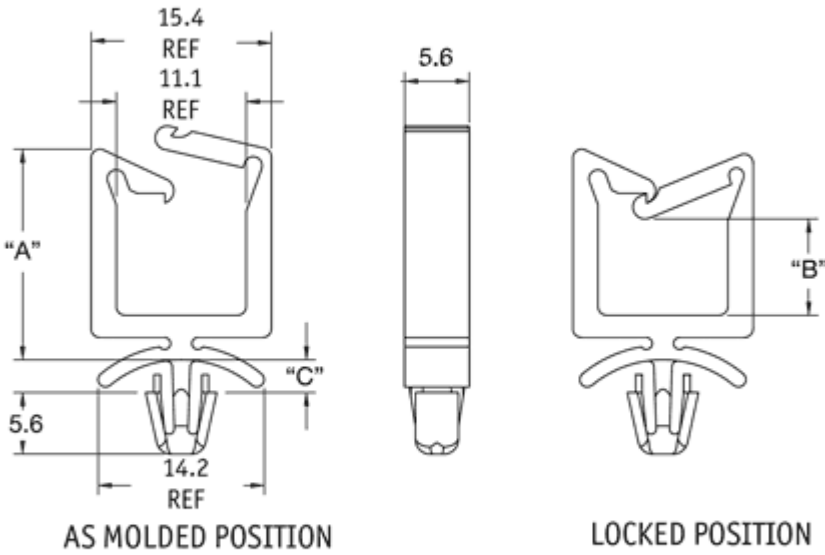


LWS-A - Locking Wire Saddle



Details:

- **Material:** UL94 V2 Nylon 6/6, RMS-01* or UL94 V0 Nylon 6/6, RMS-19*
- **Color:** Natural
- Standard Pack: 1000 pcs

Symbol	A	B	C	Mounting hole diameter	Panel thickness	Material	Flammability	Color
	[mm]	[mm]	[mm]	[mm]	[mm]			
LWS-A-2-1-19	13.2	3.6	3.8	4.75	3.2	PA 66	UL94 V-0	natural