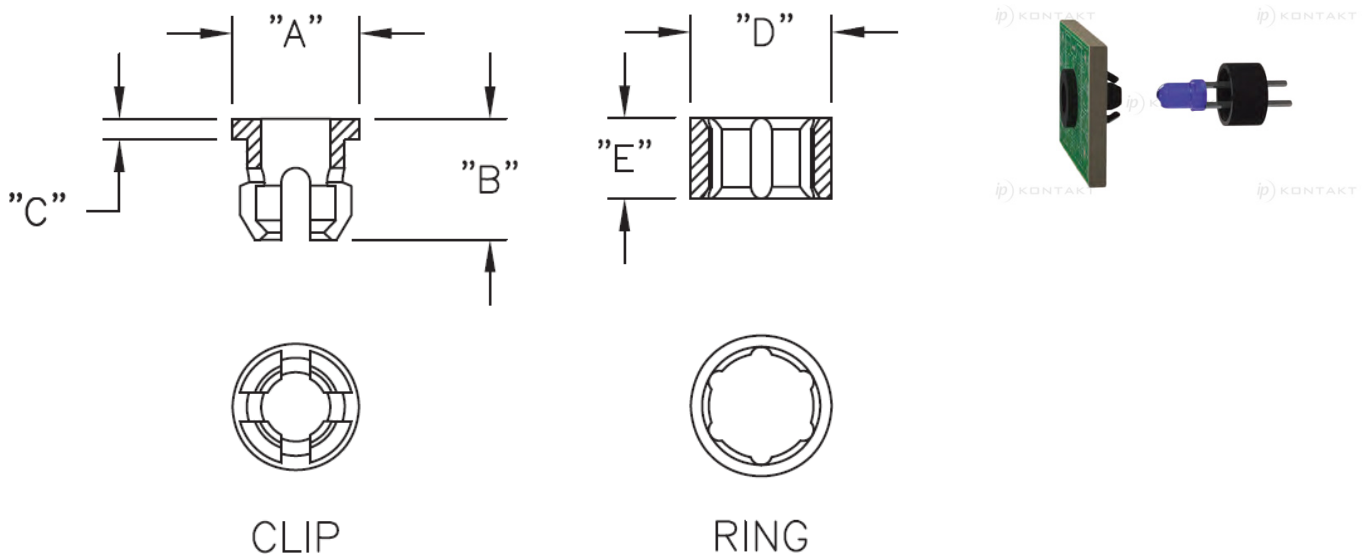


LED CR - LED Clips and Rings



Details:

- **Material: UL94 V0 Nylon 6/6, RMS-43***
- **Material: UL94 V2 Nylon 6/6, RMS-48***
- **Clip material: UL94 V0 Nylon 6/6, RMS-43***
- **Color: Black**
- **The devices go together by simply inserting the "clip" to the front of the panel, then assembling the LED into the "clip" from the rear of the panel. The "ring" is pressed onto the rear of the "clip" for a firm retention**
- **Standard Pack: 1000/Bag**

Symbol	LED type	A	B	C	D	E	Mounting hole diameter range	Panel thickness range	Material	Flammability	Color
		[mm]	[mm]	[mm]	[mm]	[mm]	[mm]	[mm]			
LED CR-174	T-1-3/4	7.6	6.6	0.8	8.9	4.1	6.8 - 6.9	0.81 - 3.2	PA 66	UL94 V-0, V-2	black