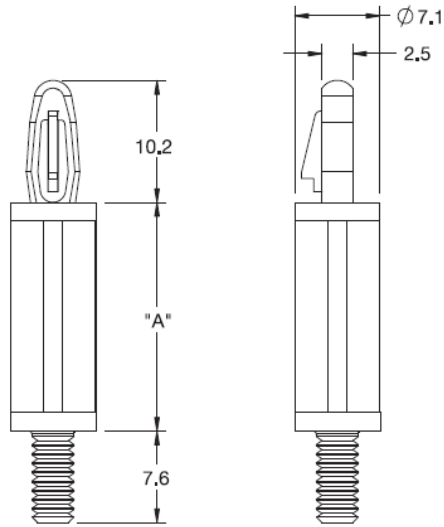


## LCBS-TM - Circuit Board Support



**Details:**

- **Material: Nylon 6/6, UL 94 V-2, RMS-01\***
- **Material: Nylon 6/6, UL 94 V-0, RMS-19\***
- **Color: natural**
- **Standard pack: 1000 pcs**

Symbol	Height A ±0.4	Ext. thread	Ext. thread length [mm]	Top mounting hole dia. ±0.08	Top panel thickness [mm]	Material	Flammability	Color
	[mm]			[mm]				
LCBS-TM-4-19	6.4	UNC 6-32	7.6	4	1.57	PA 66	UL94 V-0	natural