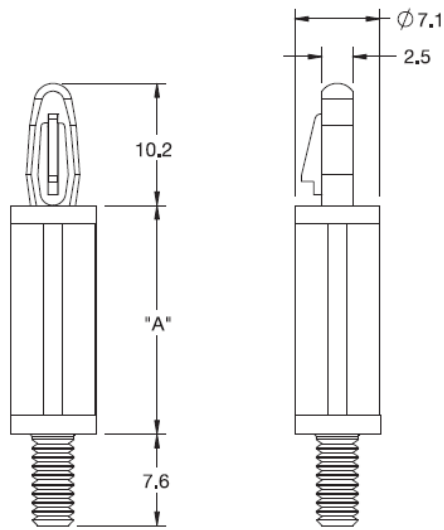


LCBS-TM - Circuit Board Support



Details:

- **Material: Nylon 6/6, UL 94 V-2, RMS-01***
- **Material: Nylon 6/6, UL 94 V-0, RMS-19***
- **Color: natural**
- **Standard pack: 1000 pcs**

Symbol	Height A ± 0.4	Ext. thread	Ext. thread length	Top mounting hole dia. ± 0.08	Top panel thickness	Material	Flammability	Color
	[mm]			[mm]				
LCBS-TM-16-01	25.4	UNC 6-32	7.6	4	1.57	PA 66	UL94 V-2	natural