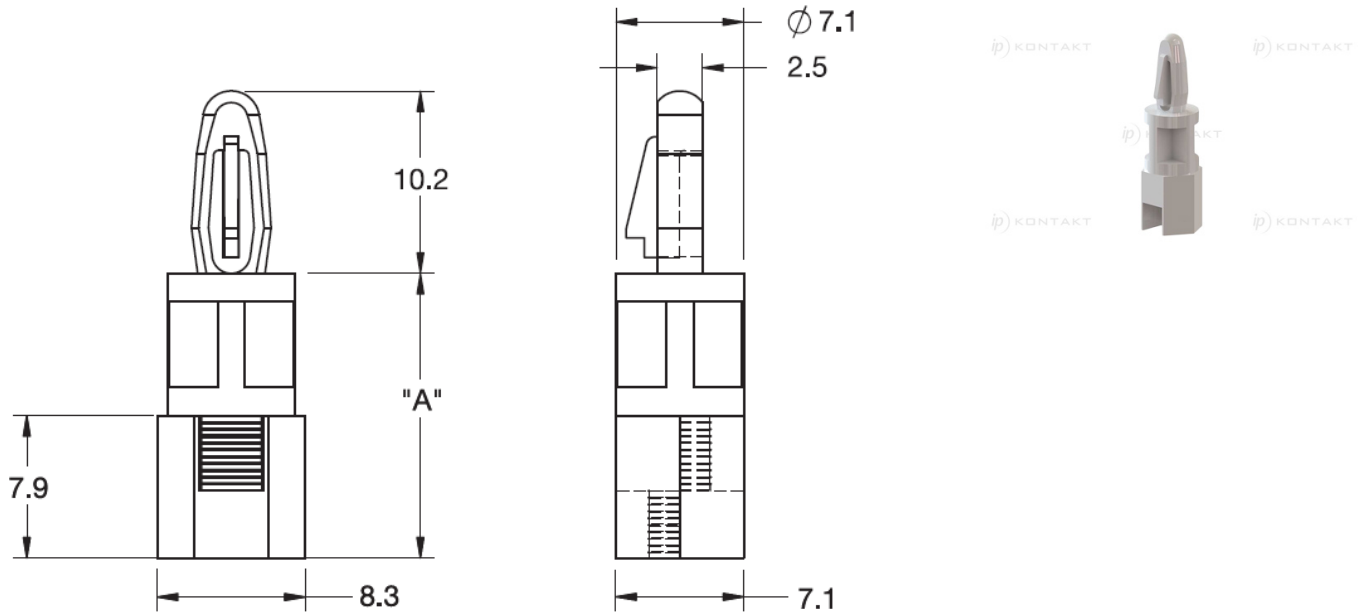


### LCBS-TF - Circuit Board Support



**Details:**

- **Material: Nylon 6/6, UL 94 V-2, RMS-01\***
- **Material: Nylon 6/6, UL 94 V-0, RMS-19\***
- **Color: natural**
- Top hole: 4±0.08, panel thickness: 1.57
- Thread: UNC 6-32 or M4
- **Standard pack: 1000 pcs**

Symbol	Height A ±0.4	Int. thread	Top mounting hole dia. ±0.08	Top panel thickness	Material	Flammability	Color
	[mm]		[mm]	[mm]			
LCBS-TF-8-19	12.7	UNC 6-32	4	1.57	PA 66	UL94 V-0	natural