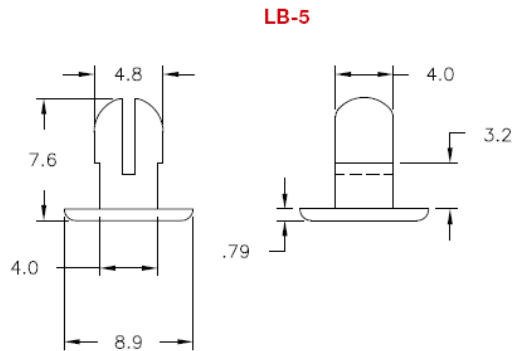
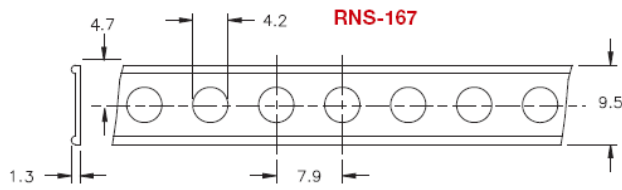


## RNS/LB - Nylon Strap and Locking Button



**Details:**

- **Nylon 6/6, UL94 HB, RMS 17 \***
- **Nylon 6/6, UL94 V-2, RMS 01 \***
- **Color: black**
- Standard pack: **LB-5** - 100 [pcs], **RNS-167** - 100 ft (30m)

Symbol	Description	Material	Flammability	Color	Standard pack	Standard pack
					[m]	[szt./pcs]
LB-5	rivet	PA 66	UL94 V-2	black	-	100