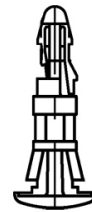
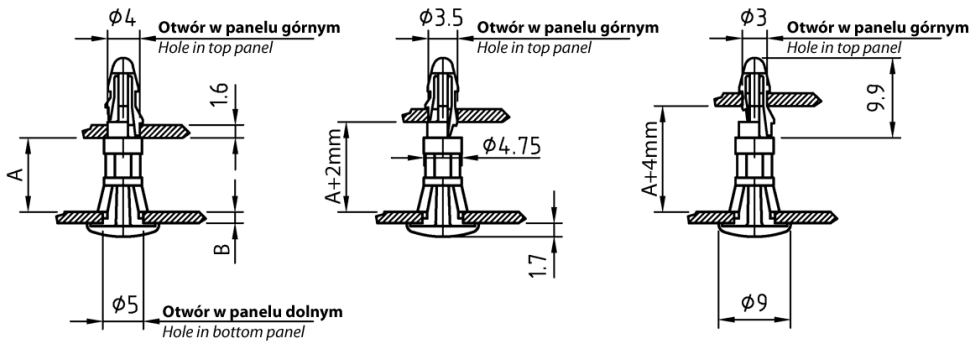


## L-TWK3 - Cupped Reverse Three Step Locking Circuit Board Support



Details:

- **Material: polyamide 6.6**
- **Colour: black**
- **Height:  $\pm 0.1$  mm**
- Standard pack: 100 szt.

Symbol	Height A $\pm 0.1$	Top panel thickness	Top mounting hole dia.	Top mounting hole dia.	Top mounting hole dia.	Bottom panel thickness B	Bottom mounting hole dia.	Material	Color
	[mm]	[mm]	[mm]	[mm]	[mm]	[mm]	[mm]		
L-TWK3-15-130	13	1.6	4	3.5	3	1.5	5	PA 66	black