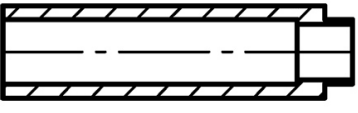
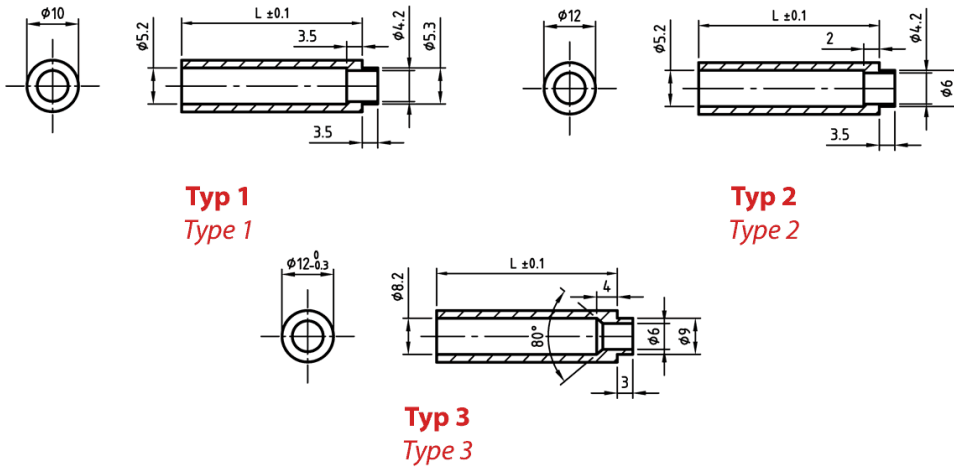


L-TDWTK - Round, pluggable stand-offs with shouldered hole



Details:

- **Material PA-GF:**
 - Glass-filled polyamide
 - Colour: black
- **Material: PS:**
 - Polystyrene
 - Colour: natural

Symbol	Height $L \pm 0.1$	Type	Material	Color
	[mm]			
L-TDWTK-3-30-NAT	30	3	PS	natural