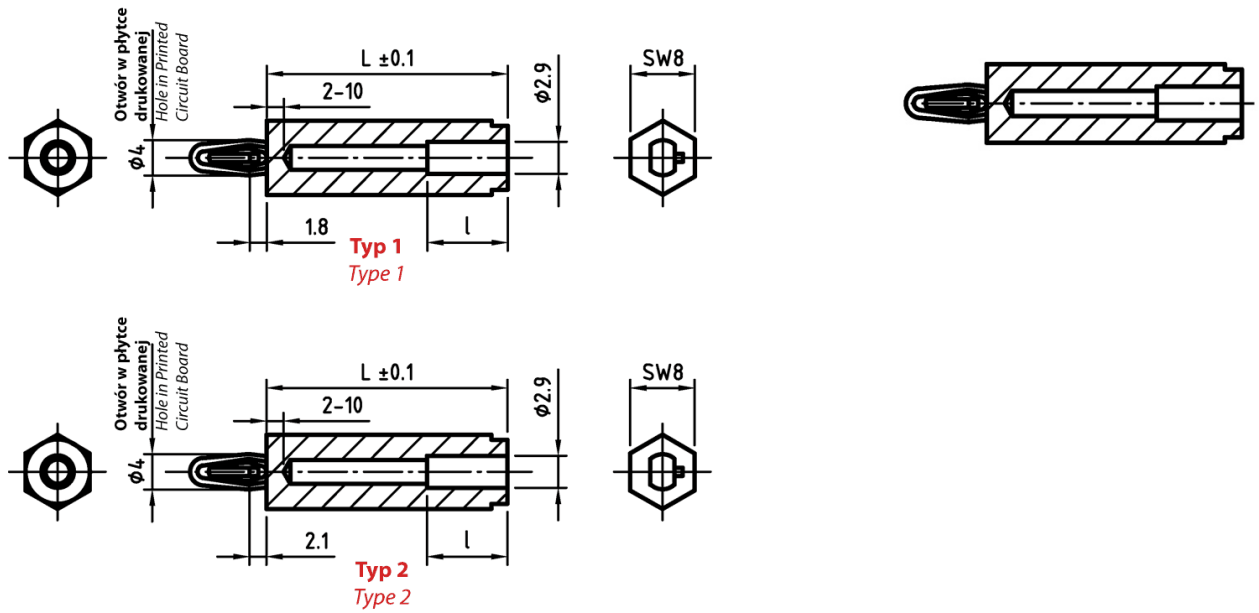


L-TDFW1 - Plastic, push-in stand offs with hole



Details:

- **Material: Polyamide**
- **Colour: black**
- **Mounting hole: Ø4 mm**

| Symbol | Height L ± 0.1 | l | Panel thickness | Mounting hole diameter | Wrench size SW | Type | Material | Color |
|--------------|-------------------|----|-----------------|------------------------|-------------------|------|----------|-------|
| | [mm] | | | | [mm] | | | |
| L-TDFW1-1-26 | 26 | 10 | 1.6 | 4 | 8 | 1 | PA 66 | black |