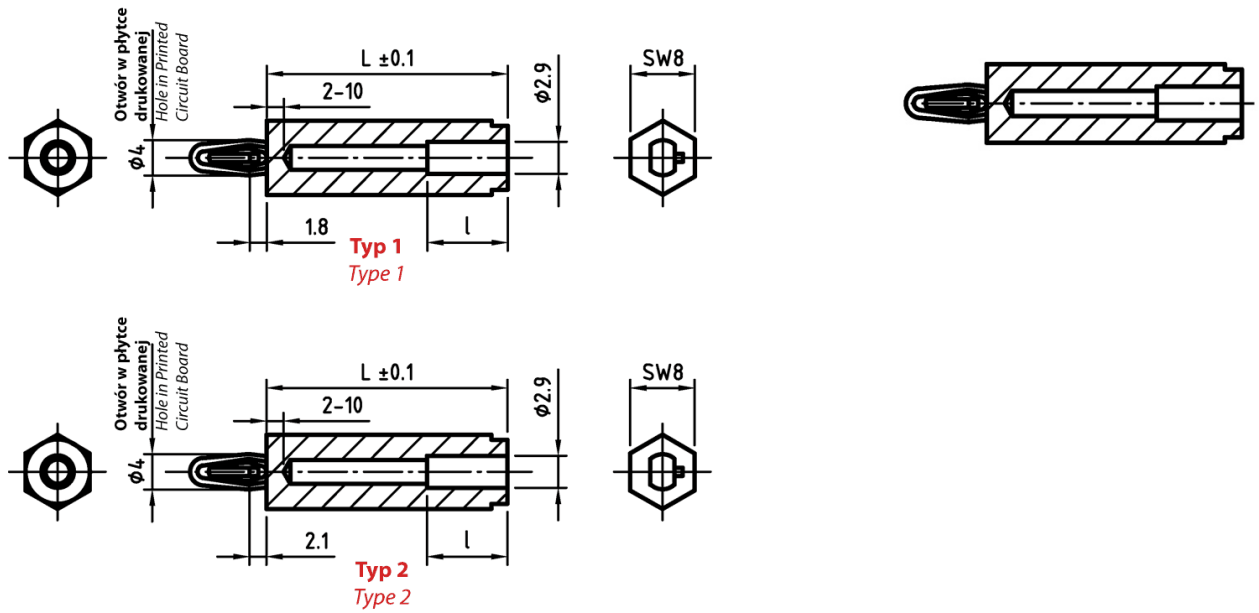


L-TDFW1 - Plastic, push-in stand offs with hole



Details:

- **Material: Polyamide**
- **Colour: black**
- **Mounting hole: Ø4 mm**

| Symbol       | Height<br>L ± 0.1 | l  | Panel thickness | Mounting hole diameter | Wrench size<br>SW | Type | Material | Color |
|--------------|-------------------|----|-----------------|------------------------|-------------------|------|----------|-------|
|              | [mm]              |    |                 |                        | [mm]              |      |          |       |
| L-TDFW1-1-25 | 25                | 10 | 1.6             | 4                      | 8                 | 1    | PA 66    | black |