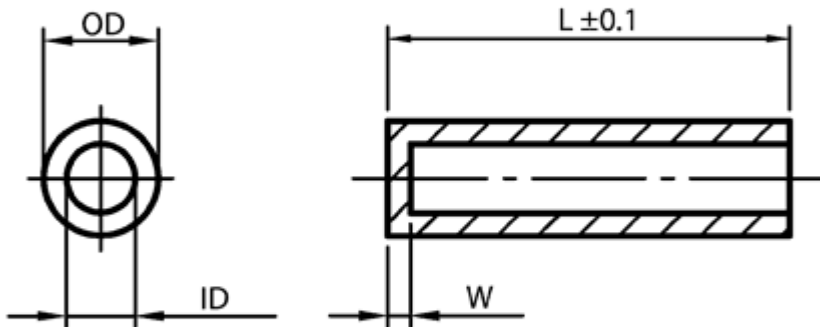


L-BHS - Cap bushing



Details:

- **Material: PA GV - polyamide glass fiber, colour black**
- **Materiał: PS - polestyrol , colour natural**
- Standard pack: 100 pcs.

| Symbol | Material | Color | Ext. diameter OD | Int. diameter ID ±0.1 | Height L | W |
|--------------------|----------|---------|---------------------|--------------------------|-------------|------|
| | | | [mm] | [mm] | [mm] | [mm] |
| L-BHS-080-42-26-PS | PS | natural | 8 | 4.2 | 26 | 1.5 |