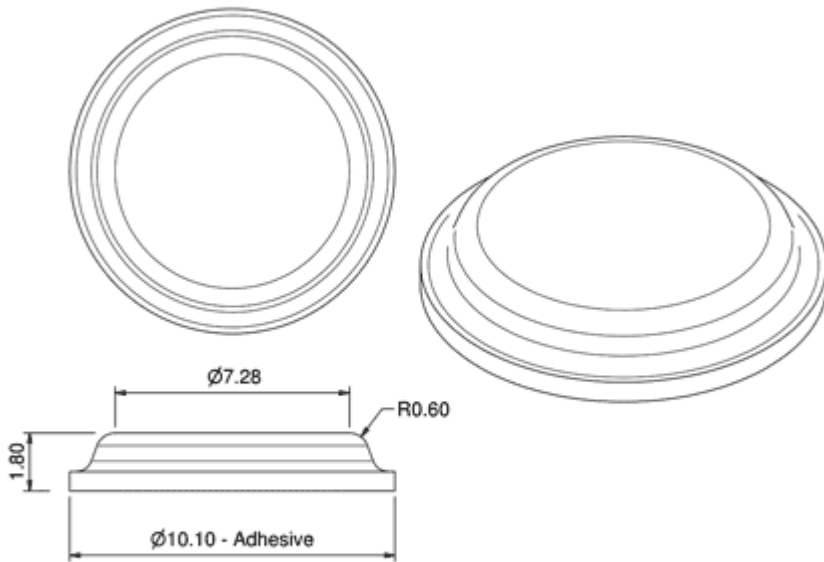


**IP-BBS-1018 - Cylindrical self-adhesive bumpers**



Details:

- **Material: polyurethane**
- **Colour: transparent or black.** On special order: white, grey or brown
- Standard pack: see table
- Tolerance:  $\pm 0.25$  mm

Symbol	Base diameter W	Height H	Color	Standard pack
	[mm]	[mm]		[szt./pcs]
IP-BBS-1018-BLK	10.1	1.8	black	288