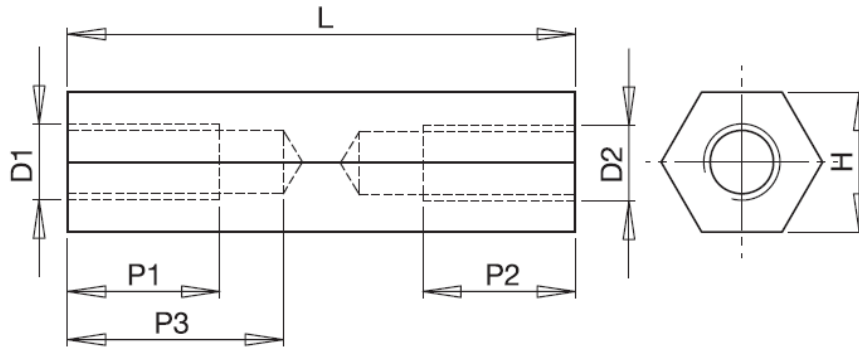


## HTSMG-1 - Hexagonal Mild Steel Standoff



**Details:**

- **Material: Steel, zinc plated RMS-232\***
- **Standard pack: 100 pcs**

Symbol	Int. thread D1=D2	Length L	Wrench size H	Int. thread length P1=P2	Material
		[mm]	[mm]	[mm]	
HTSMG-M8-18-13-1	M8	18	13	18	steel, zinc plated