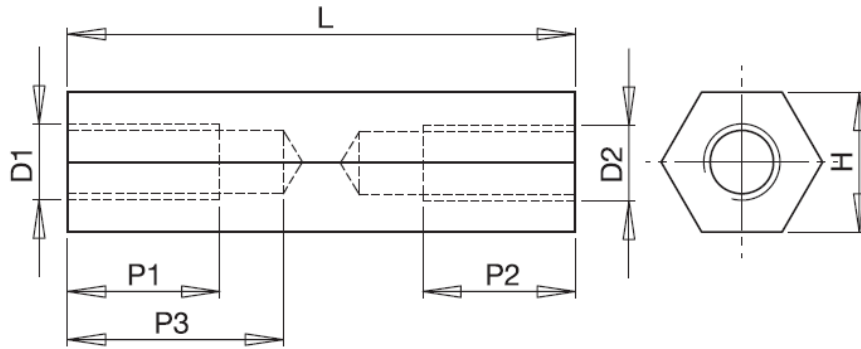


## HTSMG-1 - Hexagonal Mild Steel Standoff



**Details:**

- **Material: Steel, zinc plated RMS-232\***
- **Standard pack: 100 pcs**

| Symbol          | Int. thread<br>D1=D2 | Length<br>L | Wrench size<br>H | Int. thread length<br>P1=P2 | Material           |
|-----------------|----------------------|-------------|------------------|-----------------------------|--------------------|
|                 |                      | [mm]        | [mm]             | [mm]                        |                    |
| HTSMG-M4-77-8-1 | M4                   | 77          | 8                | 10                          | steel, zinc plated |