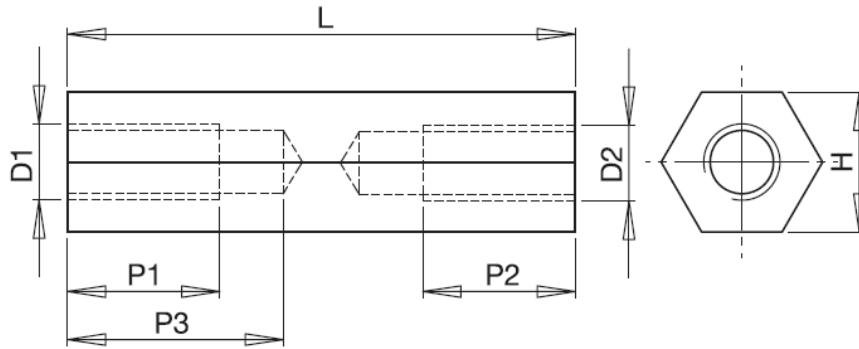


## HTSMG-1 - Hexagonal Mild Steel Standoff



Details:

- **Material: Steel, zinc plated RMS-232\***
- **Standard pack: 100 pcs**

Symbol	Int. thread D1=D2	Length L	Wrench size H	Int. thread length P1=P2	Material
		[mm]	[mm]	[mm]	
HTSMG-M3-39-5.5-1	M3	39	5.5	10	steel, zinc plated