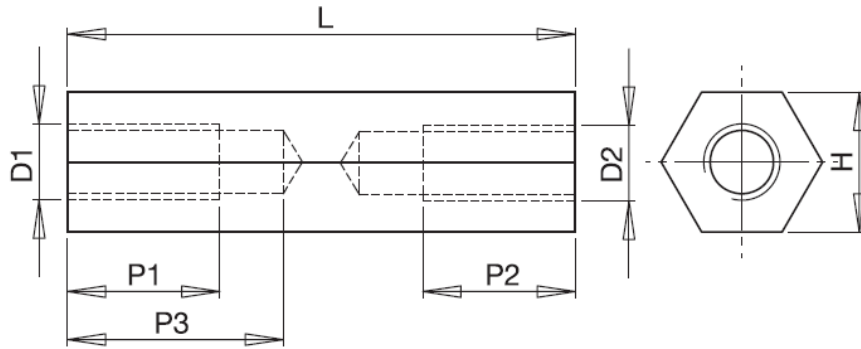


### HTSBG-1 - Hexagonal Brass Standoff



Details:

- **Brass, nickel plated RMS-299 \***
- **Standard pack: 100 pcs**

| Symbol            | Int. thread<br>D1=D2 | Length<br>L | Wrench size<br>H | Int. thread length<br>P1=P2 | Material             |
|-------------------|----------------------|-------------|------------------|-----------------------------|----------------------|
|                   |                      | [mm]        | [mm]             | [mm]                        |                      |
| HTSBG-M3-44-5.5-1 | M3                   | 44          | 5.5              | 10                          | brass, nickle plated |