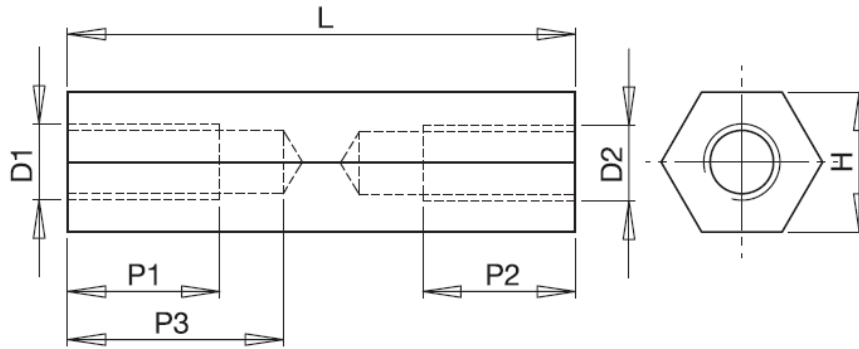


HTSBG-1 - Hexagonal Brass Standoff



Details:

- **Brass, nickel plated RMS-299 ***
- **Standard pack: 100 pcs**

| Symbol | Int. thread D1=D2 | Length L | Wrench size H | Int. thread length P1=P2 | Material |
|-------------------|----------------------|-------------|------------------|-----------------------------|----------------------|
| | | [mm] | [mm] | [mm] | |
| HTSBG-M2.5-44-5-1 | M2.5 | 44 | 5 | 10 | brass, nickle plated |