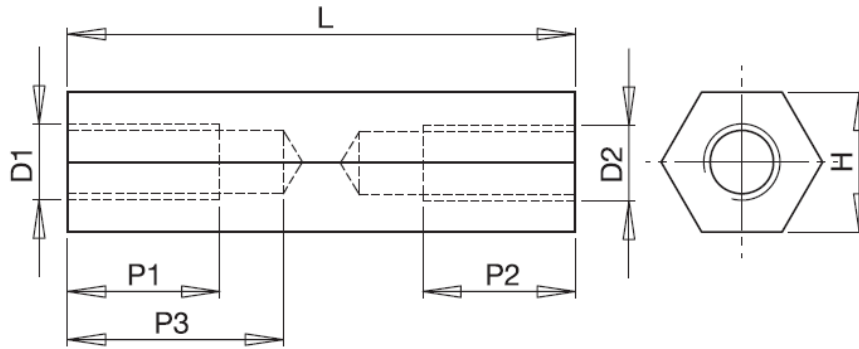


HTSBG-1 - Hexagonal Brass Standoff



Details:

- **Brass, nickel plated RMS-299 ***
- **Standard pack: 100 pcs**

Symbol	Int. thread D1=D2	Length L	Wrench size H	Int. thread length P1=P2	Material
		[mm]	[mm]	[mm]	
HTSBG-M2.5-31-5-1	M2.5	31	5	10	brass, nickle plated