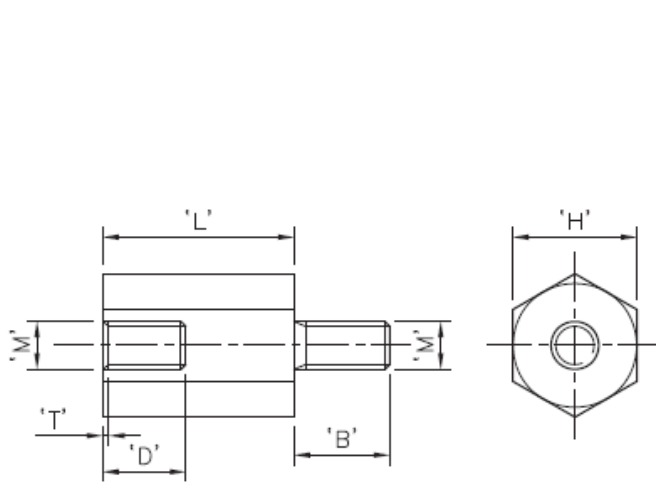


## HTNSP-IS - Metric Hex Low Voltage Insulators



**Details:**

- **Body material: Nylon 6/6, RMS-133**
- **Flammability: UL94 HB**
- **Color Natural,**
- **Threaded inserts material: Brass, RMS-231**
- **Standard Pack: 100/Bag**

Symbol	Ext. thread M	Int. thread M	Height L	Wrench size H	Ext. thread length B	Int. thread length D	T	Material
			[mm]	[mm]	[mm]	[mm]	[mm]	
HTNSP-M3-6.4-33-I/S	M3	M3	33	6.4	6	6	0.75	PA 66, brass