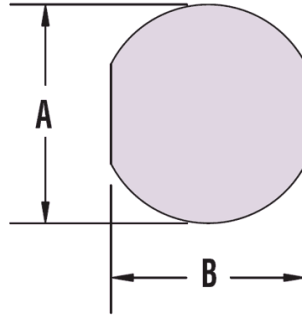
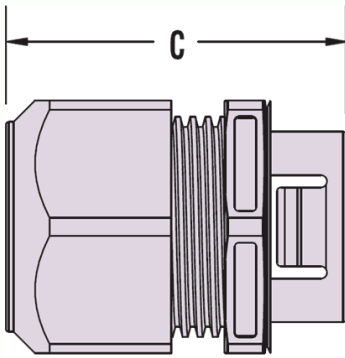


## H-SCG - Snap-In Cordgrip Strain Reliefs



**Sugerowany otwór przelotowy  
 do montażu zatrzaskowego**  
*Suggested clearance hole  
 for snap-in mounting*

**Details:**

- **Material:** Nylon 6/6
- **Flammability Rating:** UL94 V-2
- **Temperature Range:** -18°C to 105°C
- **Panel thickness:** 1.6 mm - 3.2 mm
- **Colour:** BLK - black, GR - grey
- Unique fingers securely lock into a range of panel sizes without use of locknut.
- Smooth, rounded interior edges for ease of installation.
- Limited intrusion into enclosure where access is tight.
- Rotation prevented when used in Double D mounting holes.
- Easy to install-no tools required.
- Ratchet design of sealing nut assembly provides superior antivibration and ensures a firm grip on the cable.

Symbol	Cable diameter range	Mounting hole dimentions A × B	C	Panel thickness range	Material	Flammability	Color
	[mm]	[mm]	[mm]	[mm]			
H-M4808	5.3 - 5.8	15.9 × 14	33	1.6 - 3.2	PA 66	UL94 V-2	black