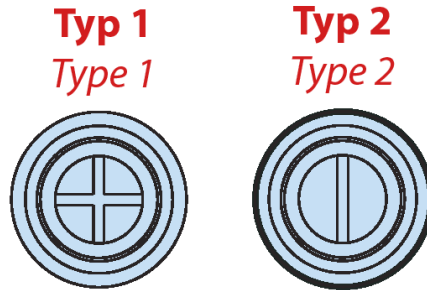
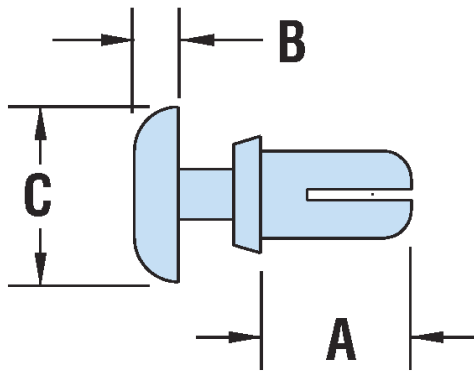


## H-PR - Snap Rivets



**Details:**

- **Material:** Nylon 6 UL94 V-2 or Nylon 6/6 UL94 V-0
- **Colour:** black or white
- **Temperature range:** -40°C do 115°C

Symbol	Mounting hole diameter	Panel thickness range	A	B	C	Extraction force	Type	Material	Flammability	Color
	[mm]		[mm]	[mm]	[mm]					
H-9316	3.1	20.6 - 21.6	23.1	1.5	6.4	7.8	2	PA 6	UL94 V-2	black