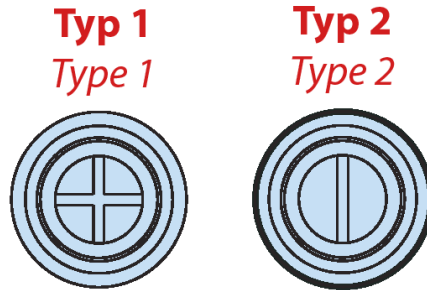
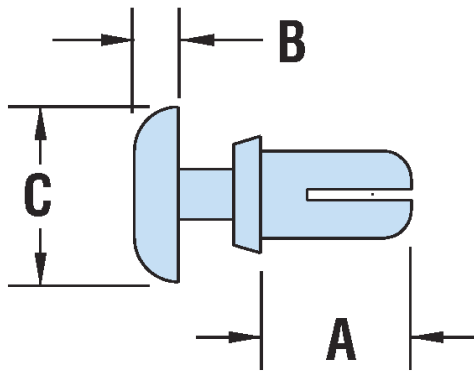


H-PR - Snap Rivets



Details:

- **Material:** Nylon 6 UL94 V-2 or Nylon 6/6 UL94 V-0
- **Colour:** black or white
- **Temperature range:** -40°C do 115°C

Symbol	Mounting hole diameter	Panel thickness range	A	B	C	Extraction force	Type	Material	Flammability	Color
	[mm]		[mm]	[mm]	[mm]					
H-9022	2.6	2.0 - 3.0	4.3	1.5	5.1	4.9	2	PA 6	UL94 V-2	black