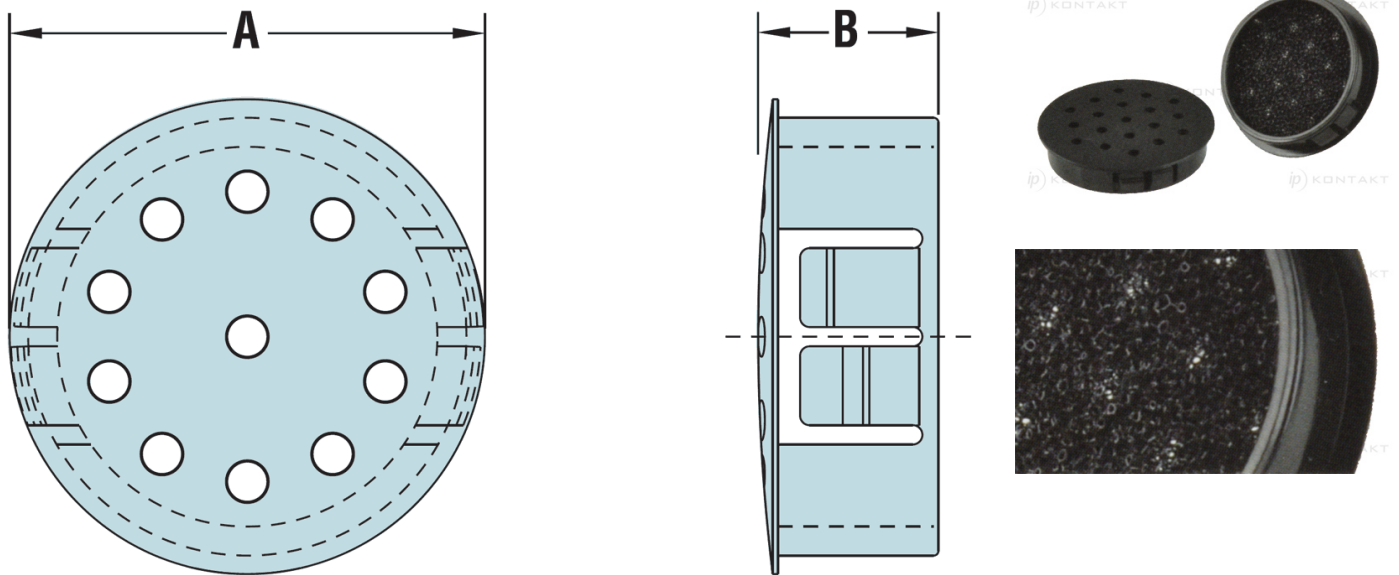


H-FIVP - Filter Insert Vent Plugs



Details:

- **Material: Nylon 6/6**
- **Colour: black**
- **Temperature range: -40°C to 105°C**
- Filter inserts permit the passage of air for ventilation but limit liquid as well as dust and pest infiltration.
- Polyurethane foam filter will filter particle sizes 30 micron and larger.
- Filter is captive in body of vent plug and uses no additional real estate inside.

Symbol	Number of vent holes	Mounting hole diameter range	Ext. diameter A	Height B	Panel thickness range	Material	Color
		[mm]	[mm]	[mm]	[mm]		
H-4989	19	50.8	54.4	14.7	6.4 max.	PA 66	black