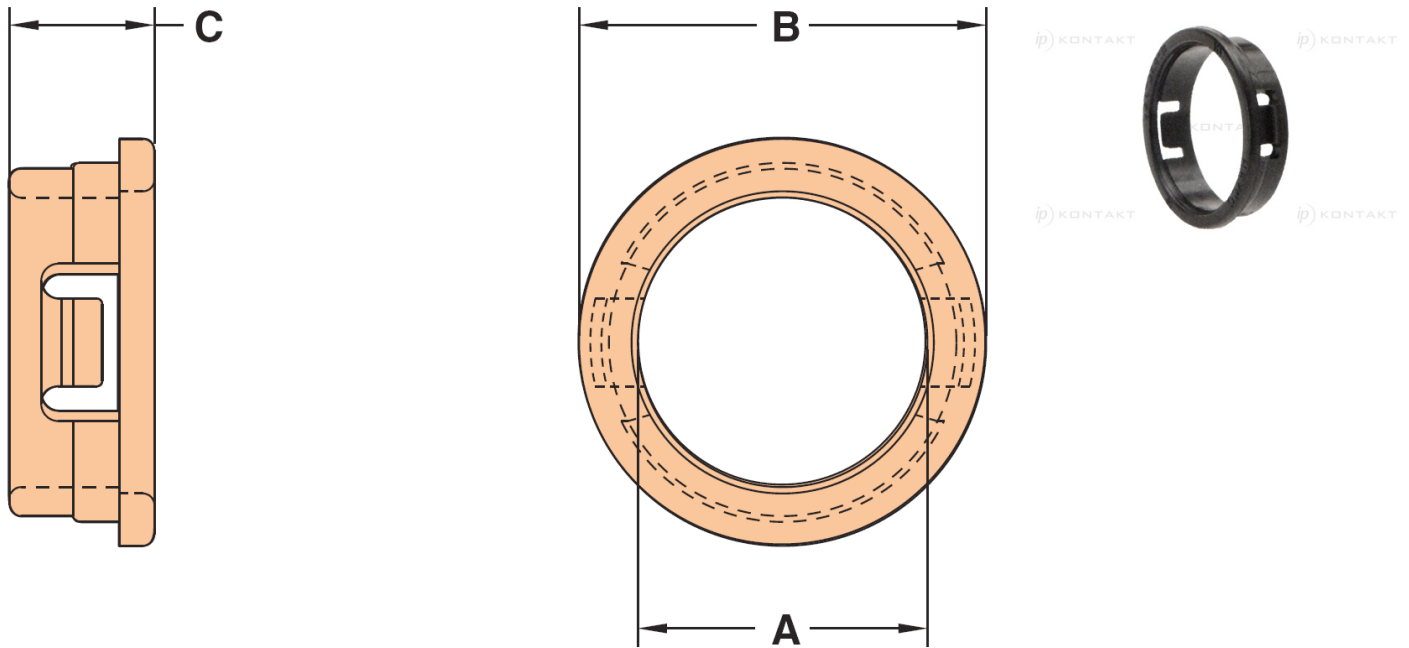


H-B2 - Thin Panel Bushings



Details:

- **Material:** Nylon 6/6 UL94 V-2
- **Colour:** black (BLK) or white (WH)
- **Temperature Range:** -18°C to 105°C

Symbol	Mounting hole diameter	Int. diameter A	Ext. diameter B	Height C	Panel thickness range	Material	Flammability	Color
	[mm]	[mm]	[mm]	[mm]	[mm]			
H-2814	11.1	7.9	12.7	6.4	1.6 max.	PA 66	UL94 V-2	white