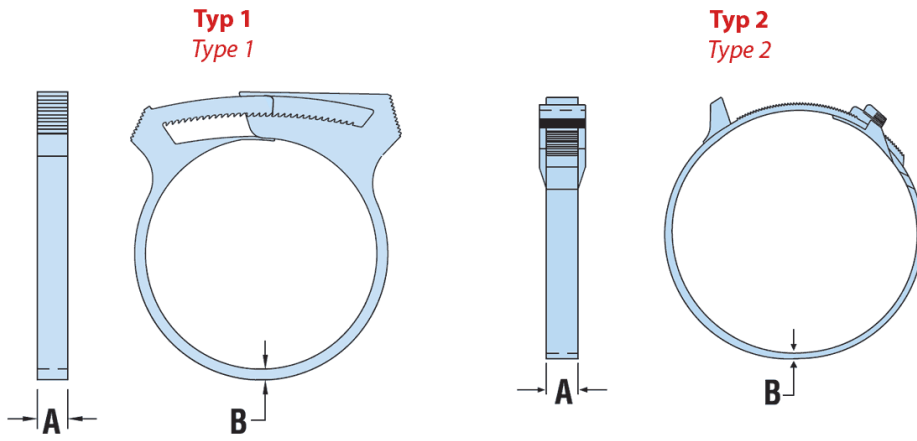


H-HC - Nylon Hose Clamp



Details:

- **Material:** Nylon 6/6 UL94 V-2 or Nylon 6/6 glass-filled UL94 HB
- **Colour:** black (BLK), white (WH)
- Quick and easy installation. Tighten instantly with hand pliers or Air Tools
- Reusable. Can be removed without cutting.
- Glass-filled nylon clamps offer additional clamping strength.
- Lightweight yet resist corrosion, salt water, weak acids, grease, and common solvents.

Symbol	Minimum diameter	Maximum diameter	A	B	Type	Material	Flammability	Color
	[mm]	[mm]	[mm]	[mm]				
H-2330	19.1	22.2	5.3	1.8	1	PA 66	UL94 V-2	black