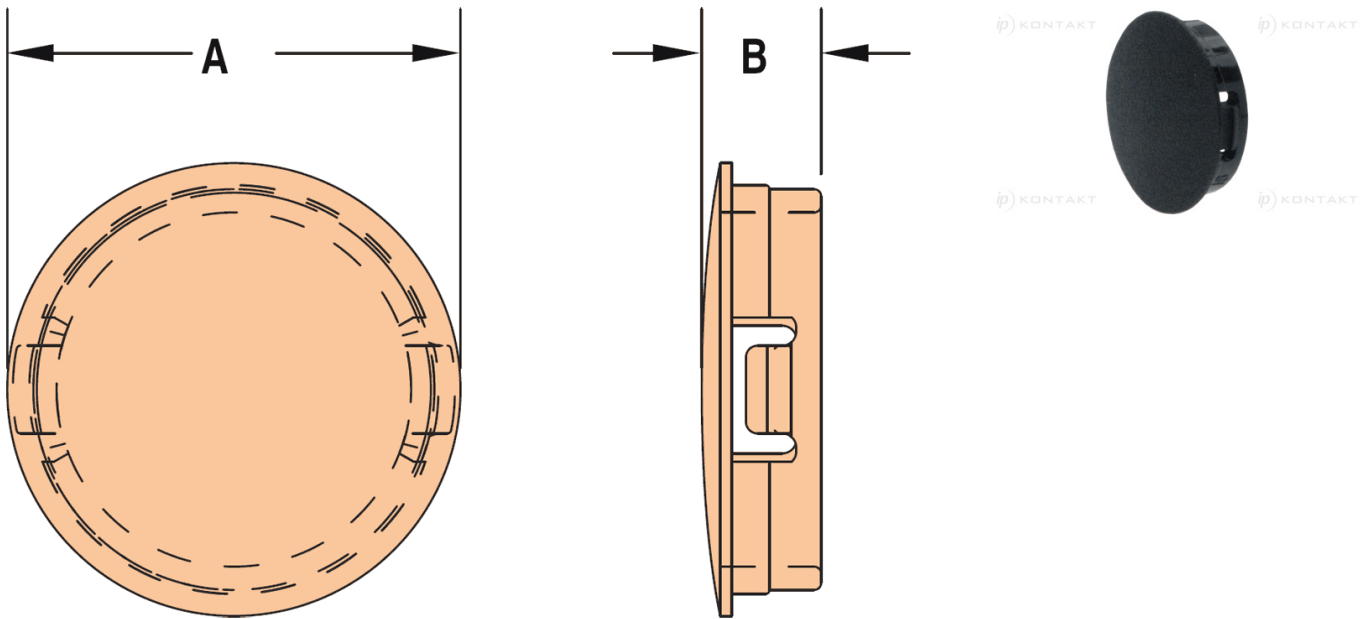


### H-SP - Shorty Plugs



**Details:**

- **Material: Nylon 6/6**
- **Flammability Rating: UL94 V-2**
- **Colour: black or white (other colours available on special order)**
- Temperature Range: -40°C to 105°C
- Certifications: UL File E51579, CSA File 8919
- **Limited intrusion: 3.2 mm inside the panel.**
- Single Locking Step for Panel Thickness up to: 1.6 mm

Symbol	Mounting hole diameter	Ext. diameter A	Height B	Material	Flammability	Color
	[mm]	[mm]	[mm]			
H-1709	9.9	11.9	6.4	PA 66	UL94 V-2	white