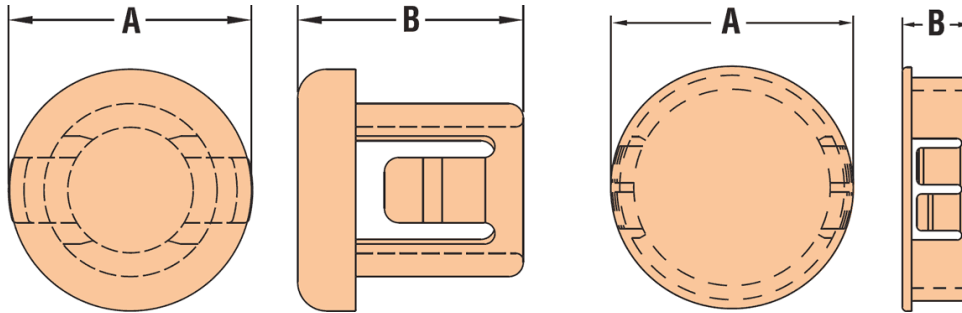


H-WP - Window "View Port" Plugs



Dla pojedynczej grubości panelu
Single panel thickness design

Dla wielu grubości panelu
Multiple panel thickness design



Details:

- **Material: Polycarbonate**
- **Flammability rating: UL94 V-2**
- **Colour: clear, other colours available on special order**
- Temperature Range: -40°C to 115°C
- Plugs for panel thickness 3.2 mm have multiple locking fingers for fractional thickness
- Molded of transparent polycarbonate for internal viewing or light transmission

Symbol	Mounting hole diameter range	Ext. diameter A	Height B	Panel thickness range	Material	Flammability	Color
	[mm]	[mm]	[mm]	[mm]			
H-1316	38.1	41.2	11.5	3.2 max.	PC	UL94 V-2	clear