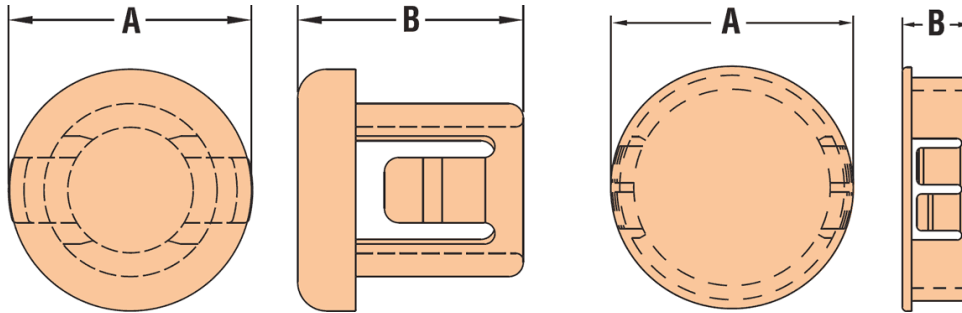


## H-WP - Window "View Port" Plugs



**Dla pojedynczej grubości panelu**  
*Single panel thickness design*

**Dla wielu grubości panelu**  
*Multiple panel thickness design*



**Details:**

- **Material: Polycarbonate**
- **Flammability rating: UL94 V-2**
- **Colour: clear, other colours available on special order**
- Temperature Range: -40°C to 115°C
- Plugs for panel thickness 3.2 mm have multiple locking fingers for fractional thickness
- Molded of transparent polycarbonate for internal viewing or light transmission

Symbol	Mounting hole diameter range	Ext. diameter A	Height B	Panel thickness range	Material	Flammability	Color
	[mm]	[mm]	[mm]	[mm]			
H-1300	4.7	6.4	5.9	1.6 max.	PC	UL94 V-2	clear