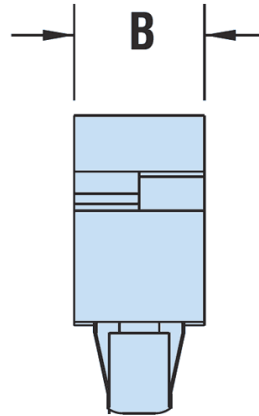
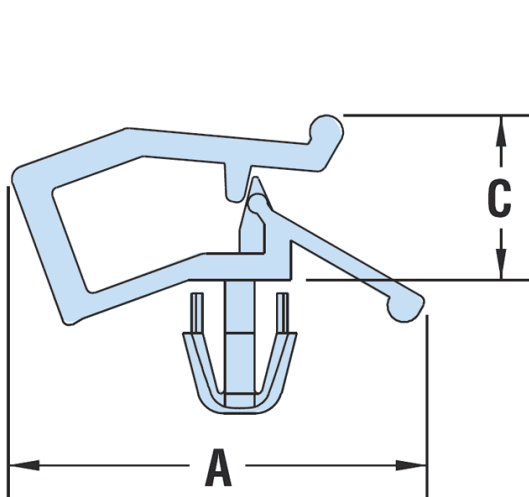


H-CH-SE - Shorty Side Entry Cable Holders



Details:

- **Material: Nylon 6/6 UL94 V-2**
- **Material Nylon 6/6 UL94 V-0 available on special order**
- **Colour: natural**
- **Temperature Range: 0°C do 85°C**

Symbol	Wire width	Wire height	A	B	C	Mounting hole diameter	Panel thickness range	Material	Flammability	Color
	[mm]	[mm]	[mm]	[mm]	[mm]	[mm]	[mm]			
H-12130	2.8	4.2	13.2	5	4.7	3.5	1.2 - 2.0	PA 66	UL94 V-2	natural