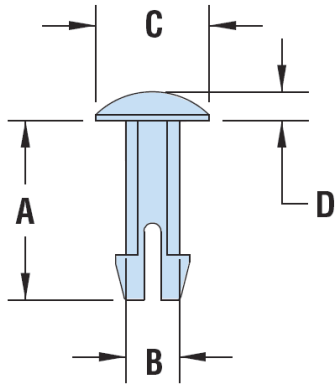
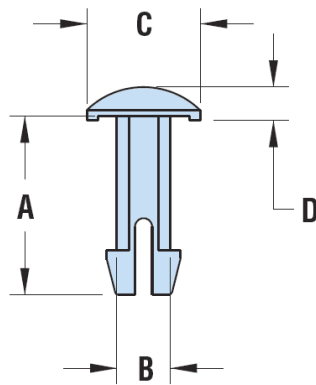


H-SLP -



Typ 1
Type 1



Typ 2
Type 2



Details:

- **Material: Nylon 6/6**
- **Klasa palności: UL94 V-2**
- Zakres temperatur: -40°C do 85°C
- Used to fix connectors to the printed circuit board prior to wave soldering.

| Symbol | Mounting hole diameter | Panel thickness | A | B | Head diameter C | Head height D | Type | Material | Flammability | Color |
|---------|------------------------|-----------------|------|------|-----------------|---------------|------|----------|--------------|---------|
| | [mm] | | [mm] | [mm] | [mm] | [mm] | | | | |
| H-12041 | 2.5 | 5.6 | 7.6 | 2.4 | 5.1 | 1.3 | 1 | PA 66 | UL94 V-2 | natural |