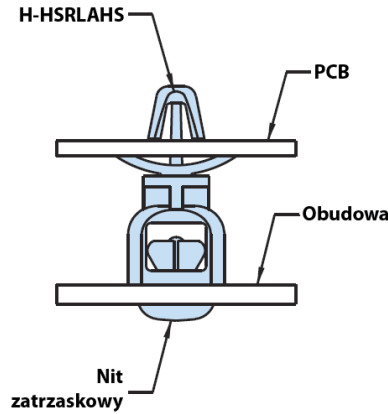
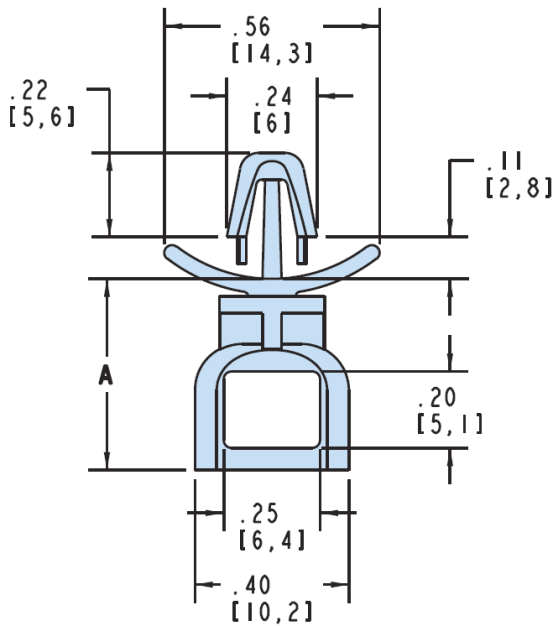


H-HSRLAHS - Nylon PCB Support - Rivet mount



Details:

- **Material:** Nylon 6/6 UL94 V-2
- **Colour:** natural
- **Temperature Range:** -40°C to 85°C
- **Metric dimensions in square brackets ±0.1 mm**
- Recognized under the Component Program of Underwriters' Laboratories File F197

Symbol	Height A	Top panel thickness	Top mounting hole dia.	Material	Flammability	Color
	[mm]	[mm]	[mm]			
H-10880	15.9	1.6	4.8	PA 66	UL94 V-2	natural

Example rivets:

Part No.	Panel thickness
	[mm]
H-9058	0.7 - 1.6
H-9060	1.6 - 2.7
H-9062	2.7 - 3.7
H-9064	3.7 - 4.7
H-9066	4.7 - 5.7
H-9068	5.7 - 6.7
H-9318	7.2 - 8.7