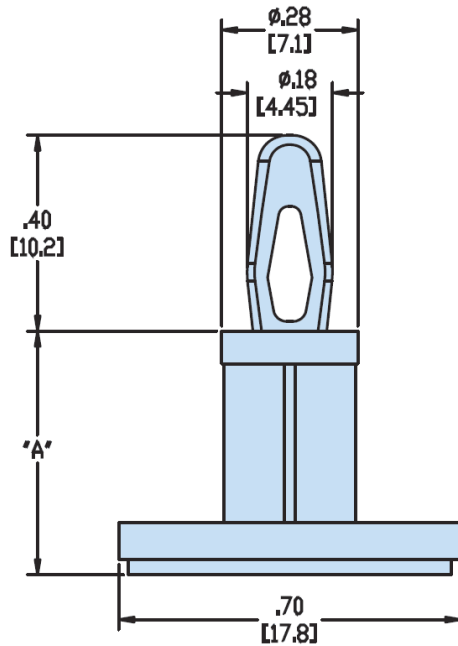


## H-HCBS2 - PCB Support, adhesive back-mount



**Details:**

- **Material:** Nylon 6/6 UL94 V-2
- **Colour:** natural
- **Temperature Range:** -40°C to 85°C
- **Metric dimensions in square brackets  $\pm 0.1$  mm**

Symbol	Height A	Top panel thickness	Top mounting hole dia.	Material	Flammability	Color
	[mm]	[mm]	[mm]			
H-10792	28.6	1.6	4	PA 66	UL94 V-2	natural