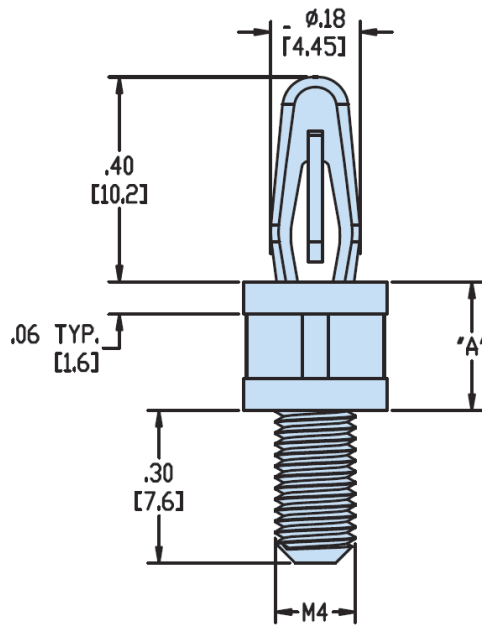


H-HSCBS7 - Nylon PCB Supports - M4 Thread



Details:

- **Material: Nylon 6/6 UL94 V-2**
- Material Nylon 6/6 UL94 V-0 available on special order
- Colour: natural
- Temperature Range: -40°C to 85°C
- **Metric dimensions in square brackets ±0.1 mm**

Symbol	Height A	Top panel thickness	Top mounting hole dia.	Ext. thread	Ext. thread length	Material	Flammability	Color
	[mm]				[mm]			
H-10758	19.1	1.6	4	M4	7.6	PA 66	UL94 V-2	natural