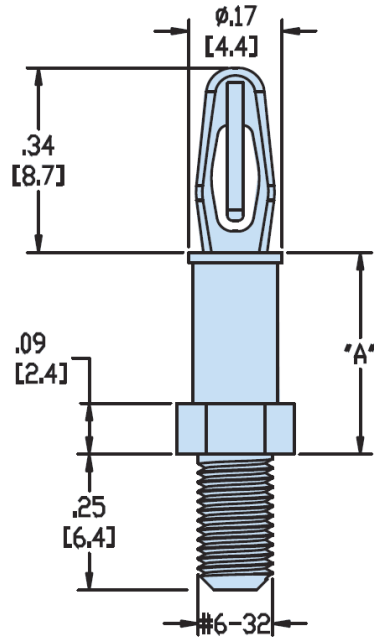


H-HSCBS5 - Nylon PCB Supports - #6-32 Thread



Details:

- **Material: Nylon 6/6 UL94 V-2**
- Material Nylon 6/6 UL94 V-0 available on special order
- Colour: natural
- Temperature Range: -40°C to 85°C
- **Metric dimensions in square brackets ±0.1 mm**

Symbol	Height A	Top panel thickness	Top mounting hole dia.	Ext. thread	Ext. thread length	Material	Flammability	Color
	[mm]				[mm]			
H-10739	7.9	1.6	3.2	#6-32	6.4	PA 66	UL94 V-2	natural