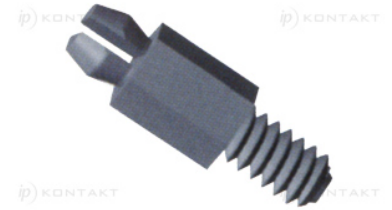
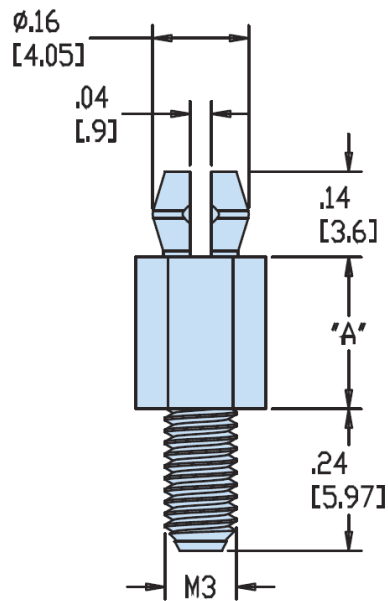


H-HSCBS1-M3 - Nylon PCB Supports - M3 Thread



Details:

- **Material: Nylon 6/6 UL94 V-2**
- Material Nylon 6/6 UL94 V-0 available on special order
- Colour: natural
- Temperature Range: -40°C to 85°C
- **Metric dimensions in square brackets ± 0.1 mm**

| Symbol | Height A | Top panel thickness | Top mounting hole dia. | Ext. thread | Ext. thread length | Material | Flammability | Color |
|---------|----------|---------------------|------------------------|-------------|--------------------|----------|--------------|---------|
| | [mm] | | | | [mm] | | | |
| H-10703 | 15.9 | 1.6 | 3.9 | M3 | 5.97 | PA 66 | UL94 V-2 | natural |