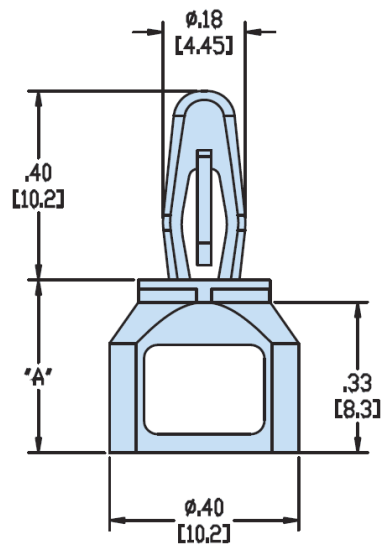


H-HRLSP - Nylon PCB Support - Rivet mount



Details:

- **Material:** Nylon 6/6 UL94 V-2
- **Colour:** natural
- **Temperature Range:** -40°C to 85°C
- **Metric dimensions in square brackets ±0.1 mm**
- Recognized under the Component Program of Underwriters' Laboratories File F197049

| Symbol | Height A | Top panel thickness | Top mounting hole dia. | Material | Flammability | Color |
|---------|----------|---------------------|------------------------|----------|--------------|---------|
| | [mm] | [mm] | [mm] | | | |
| H-10604 | 11.1 | 1.6 | 4 | PA 66 | UL94 V-2 | natural |

Rivet table:

| Part No. | Panel thickness |
|----------|-----------------|
| | [mm] |
| H-9058 | 0.7 - 1.6 |
| H-9060 | 1.6 - 2.7 |
| H-9062 | 2.7 - 3.7 |
| H-9064 | 3.7 - 4.7 |
| H-9066 | 4.7 - 5.7 |
| H-9068 | 5.7 - 6.7 |
| H-9318 | 7.2 - 8.7 |