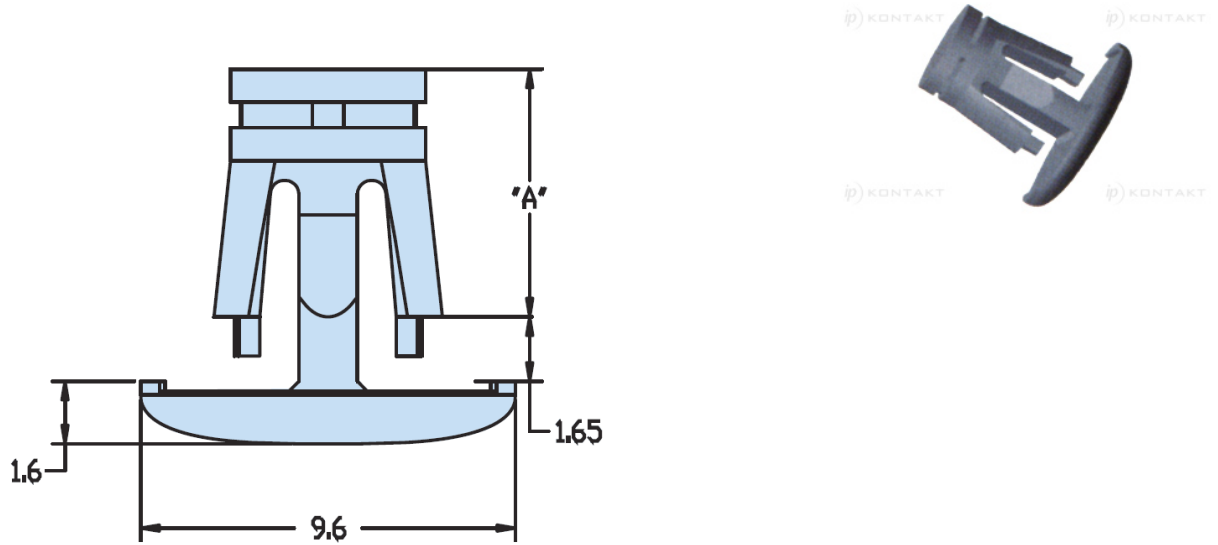


H-HLCBSC11 - Nylon PCB Supports



Details:

- **Material: Nylon 6/6 UL94 V-2**
- **UL94 V-0 available on special order**
- **Temperature Range: -40°C to 85°C**
- Dimension A = height
- Dimensions: ± 0.1 mm

Symbol	Height A	Bottom mounting hole dia.	Bottom panel thickness	Material	Flammability	Color
	[mm]					
H-10417	19.1	5.4	1.6	PA 66	UL94 V-2	natural