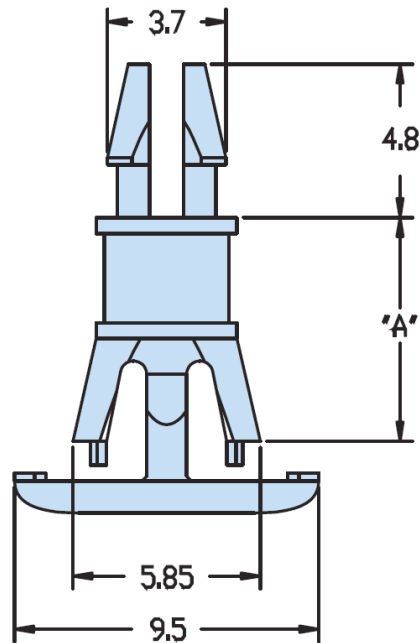


H-HLCBSC8 - Nylon PCB Supports



Details:

- **Material:** Nylon 6/6 UL94 V-2
- **UL94 V-0 available on special order**
- **Temperature Range:** -40°C to 85°C
- Dimension A = height
- Dimensions: ±0.1 mm

Symbol	Height A	Top mounting hole dia.	Top panel thickness	Bottom mounting hole dia.	Bottom panel thickness	Material	Flammability	Color
	[mm]	[mm]	[mm]	[mm]	[mm]			
H-10398	7.9	3.2	1.6	4.8	1.6	PA 66	UL94 V-2	natural