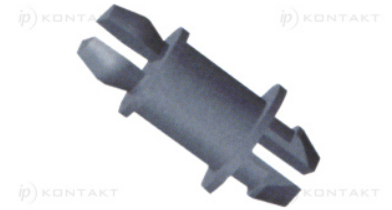
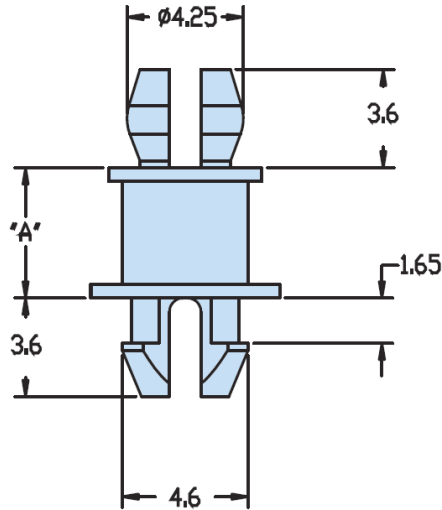


H-HMSPS - Nylon PCB Supports



Details:

- **Material: Nylon 6/6 UL94 V-2**
- **UL94 V-0 available on special order**
- **Temperature Range: -40°C to 85°C**
- **Dimensions: ± 0.1 mm**

| Symbol | Height A | Top mounting hole dia. | Top panel thickness | Bottom mounting hole dia. | Bottom panel thickness | Material | Flammability | Color |
|---------|----------|------------------------|---------------------|---------------------------|------------------------|----------|--------------|---------|
| | [mm] | [mm] | [mm] | [mm] | [mm] | | | |
| H-10329 | 22.2 | 4 | 1.6 | 4 | 1.6 | PA 66 | UL94 V-2 | natural |