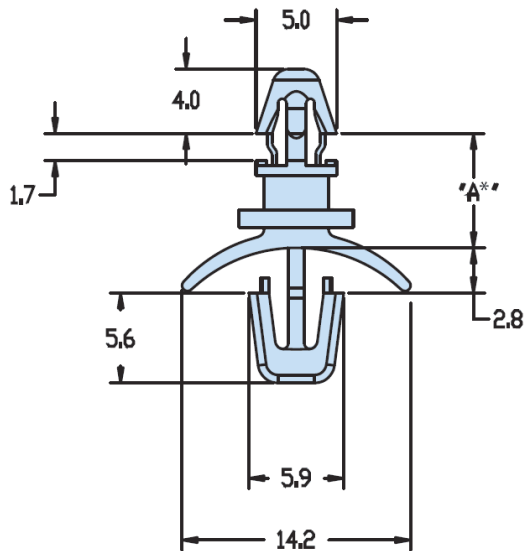


## H-HLSP7 - Nylon PCB Support



### Details:

- **Material Nylon 6/6 UL94 V-2**
- **UL94 V-0 available on special order**
- **Temperature Range: -40°C to 85°C**
- Dimension A = height to top of PCB
- Dimensions: ±0.1 mm

| Symbol  | Height A | Top mounting hole dia. | Top panel thickness range | Bottom mounting hole dia. | Bottom panel thickness range | Material | Flammability | Color   |
|---------|----------|------------------------|---------------------------|---------------------------|------------------------------|----------|--------------|---------|
|         | [mm]     | [mm]                   | [mm]                      | [mm]                      | [mm]                         |          |              |         |
| H-10132 | 4.8      | 4                      | 1.6 max.                  | 4.8                       | 2.0 max.                     | PA 66    | UL94 V-2     | natural |