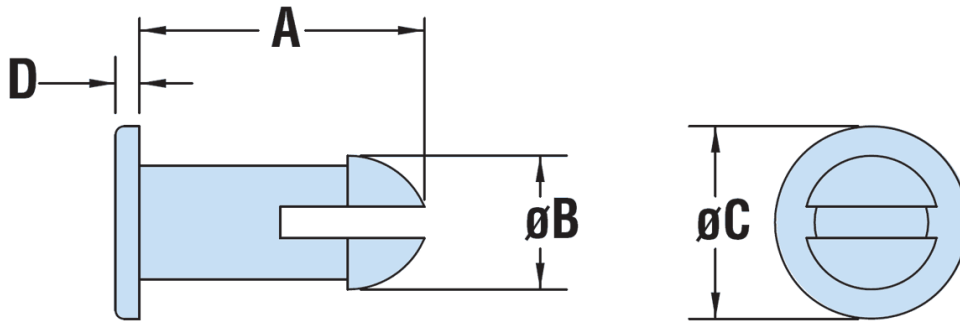


H-PF - Nylon Push-In fasteners



Details:

- **Material:** Nylon 6/6
- **Colour:** natural or black
- Flammability Rating: UL94 V-2
- Temperature Range: 0°C to 85°C

| Symbol | Panel thickness | Mounting hole diameter | A | ØB | Head diameter ØC | Head height D | Material | Flammability | Color | Notes |
|--------|-----------------|------------------------|------|------|------------------|---------------|----------|--------------|---------|-------|
| | [mm] | [mm] | [mm] | [mm] | [mm] | [mm] | | | | |
| H-0319 | 8.1 | 3 | 10.2 | 3.7 | 5.9 | 0.8 | PA 66 | UL94 V-2 | natural | - |