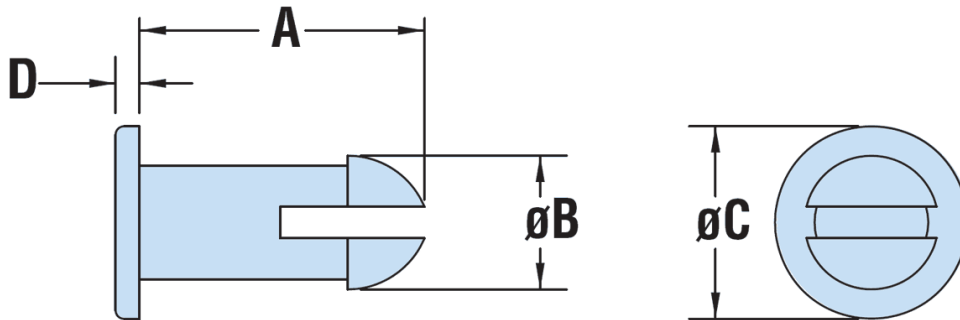


## H-PF - Nylon Push-In fasteners



**Details:**

- **Material: Nylon 6/6**
- **Colour: natural or black**
- Flammability Rating: UL94 V-2
- Temperature Range: 0°C to 85°C

| Symbol | Panel thickness | Mounting hole diameter | A    | øB   | Head diameter øC | Head height D | Material | Flammability | Color   | Notes |
|--------|-----------------|------------------------|------|------|------------------|---------------|----------|--------------|---------|-------|
|        | [mm]            | [mm]                   | [mm] | [mm] | [mm]             | [mm]          |          |              |         |       |
| H-0312 | 8.1             | 4                      | 10.9 | 5.3  | 9.9              | 1.3           | PA 66    | UL94 V-2     | natural | -     |