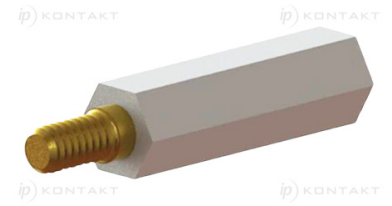
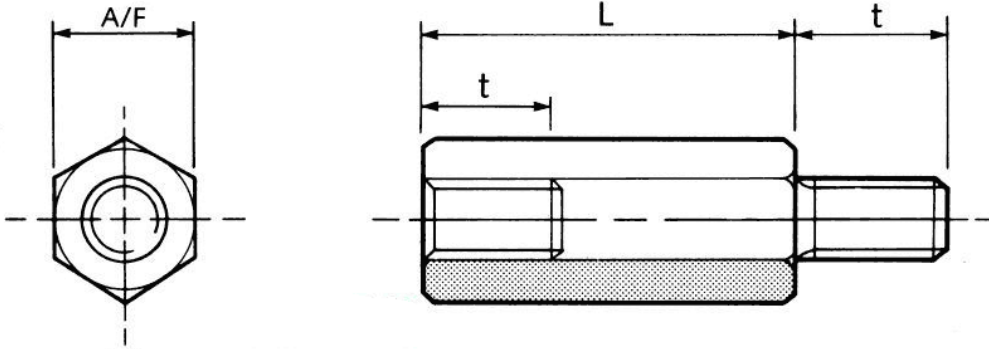


GH-2 - Metric Hex Low Voltage Insulators



Details:

- **Body material: Nylon 66**
- **Flammability: UL94 HB**
- **Colour: Natural**
- **Threaded insert material: brass**
- Standard Pack: 100/Bag

| Symbol | Int. thread | Ext. thread | Wrench size | Int. thread length | Ext. thread length | Length | Material |
|-----------------|-------------|-------------|-------------|--------------------|--------------------|--------|--------------|
| | | | A/F | t | t | L | |
| | | | [mm] | [mm] | [mm] | [mm] | |
| GH-M6-12.7-30-2 | M6 | M6 | 12.7 | 12.7 | 12.7 | 30 | PA 66, brass |