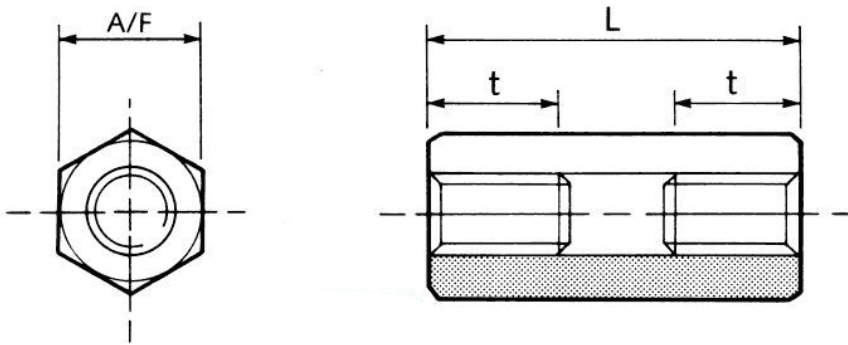


## GH-1 - Metric Hex Low Voltage Insulators



**Details:**

- **Body material: Nylon 66**
- **Flammability: UL94 HB**
- **Colour: Natural**
- **Threaded insert material: brass**
- Standard Pack: 100/Bag

| Symbol         | Int. thread | Wrench size<br>A/F | Int. thread length<br>t | Length<br>L | Material     |
|----------------|-------------|--------------------|-------------------------|-------------|--------------|
|                |             | [mm]               | [mm]                    | [mm]        |              |
| GH-M5-9.5-55-1 | M5          | 9.5                | 10                      | 55          | PA 66, brass |