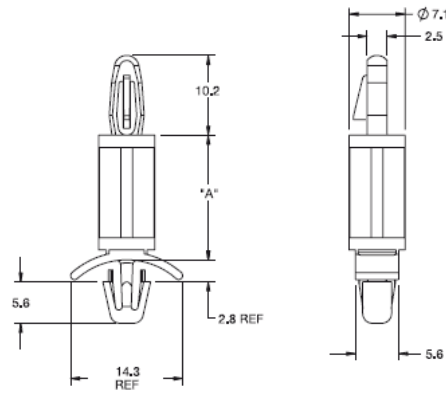


GE-LCBS-6M-01 - Locking Circuit Board Support

Top Hole: Snap-lock: 4 ± 0.08
Panel Thickness: 1.57



Bottom Hole: Snap-lock: 4.75 ± 0.08
Panel Thickness: 0.79 - 1.98

Details:

- **Material: Nylon 6/6**
- **Flammability: UL94 V-2**
- **Colour: natural**

Symbol	Height A	Top mounting hole dia. ± 0.08	Top panel thickness	Bottom mounting hole dia. ± 0.08	Bottom panel thickness range	Material	Flammability	Color
	[mm]	[mm]	[mm]	[mm]	[mm]			
GE-LCBS-6M-01	6	4	1.57	4.75	0.79 - 1.98	PA 66	UL94 V-2	natural